

# ROYAL

Store Fixture



**R**HEINGAU

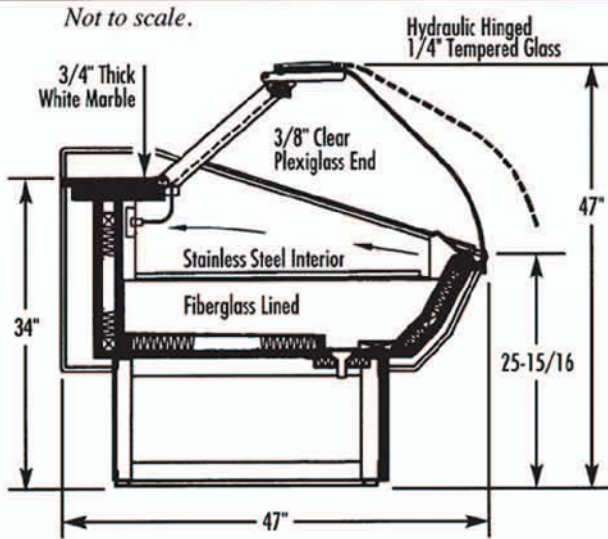
Designed to provide maximum  
product visibility

MODEL RM-04-L-SC  
RM-05-L-SC  
RM-06-L-SC  
RM-10-L-SC  
RM-12-L-SC

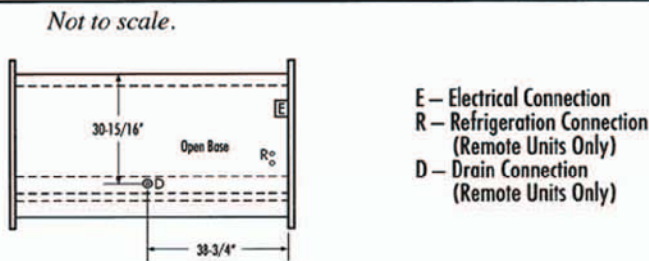
**Deli / Dairy / Prepared Food  
Bakery**

A DIVISION OF  
**PARISI**  
INCORPORATED

## TYPICAL SECTION



## PLAN VIEW



## FEATURES

- Exterior Finish.** Standard flat matte, high pressure laminate.
- Interior Finish.** Stainless steel.
- Refrigerated Without Rear Doors.**
- Lighting.** Energy efficient with remote ballast.
- Ends.** 3/8 inch thick clear plexiglass.
- Fan Speed Control.** Adjusts fan speed in case.
- Self Contained.** Unit complete with condensate evaporator.
- Lift Up Glass.** Hydraulic hinge with 1/4 inch tempered glass.
- Marble Ledge.** Standard, rear work surface; other options available.
- Hardware.** Satin anodized clear.
- UL Listed & UL Sanitation Classified to NSF-7.**

**Warranty.** One year parts and labor on self contained, four year additional compressor replacement included. Remote consult factory.

**ROYAL**  
Store Fixture

Parisi Inc.  
305 Pheasant Run  
Newtown, PA 18940

PH 215 968 6677  
FAX 215 968 3580

email:quality@parisi-royal.com  
www.parisi-royal.com

## SPECIFICATIONS

Note: Self-contained units 10' and longer require two dedicated outlets, (1) 115V & (1) 230V

LIFT FRONT SELF-CONTAINED					
MODEL	LENGTH	CONDENSING Unit	CASE ELECTRICAL		WEIGHT LBS
			AMPS @115V	AMPS @230V	
RM04LSC	49-5/8"	1/3	14.8	N/R	650
RM05LSC	61-1/2"	1/3	14.9	N/R	715
RM06LSC	79-1/4"	1/2	18.8	N/R	820
RM08LSC	95-1/8"	1/2	19.1	N/R	969
RM10LSC	118-7/8"	3/4	9.8	7.2	1250
RM12LSC	140-5/8"	3/4	10.1	7.2	1473
LIFT FRONT REMOTE*					
MODEL	LENGTH	**BTU'S/HR/FT	AMPS @115V	AMPS @230V	WEIGHT LBS
RM04LRM	49-5/8"	1700	.70	N/R	600
RM05LRM	61-1/2"	2120	.80	N/R	665
RM06LRM	79-1/4"	2720	.90	N/R	770
RM08LRM	95-1/8"	3310	1.2	N/R	909
RM10LRM	118-7/8"	4170	1.5	N/R	1190
RM12LRM	140-5/8"	4560	1.8	N/R	1410

\*Floor drain required

\*\*BTU/HR are at +20°F (evaporator) and 90°F ambient

Cases engineered to operate at 75° F and 55% RH

If no floor drain provided, evaporative drain pan must be ordered



## OPTIONS Specifications subject to change without notice.

**Remote Unit.** Case will require floor drain. Consult factory for details.

**Ice Pans, Scale Stand, Step Displays, Stainless Steel Utensil Holders, Movable Dividers, Deli Accessories.**

**Endless Design.** Cases may be field joined for continuous display.

**Bumper Rails.** Specify color and location.

**Ends.** Glass optional; other configurations available.

**Custom Sizes and Finishes.**

**Matching Counters.**

**Represented By:**

