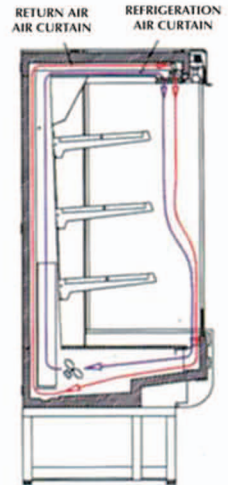


ROYAL

Store Fixture



**DUAL AIR
SCREEN**



**NIGHT
SCREEN**



ACCESS
78" High Grab n' Go

Designed to provide maximum
product visibility

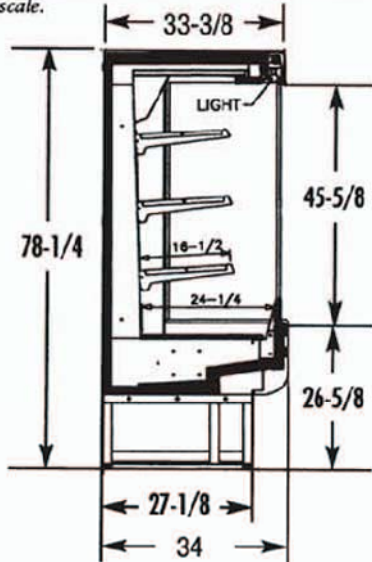
MODEL AW-03-O-SC
AW-04-O-SC
AW-06-O-SC
AW-08-O-SC

**Beverage / Prepared Food / Deli
Dairy / Bakery**

A DIVISION OF
PARISI
INCORPORATED

TYPICAL SECTION

Not to scale.



SPECIFICATIONS

Note: Self-Contained units require two dedicated outlets: (1) 115V & (1) 230V.

78" HIGH SELF-CONTAINED

MODEL	LENGTH	CONDENSING Unit H.P.	CASE ELECTRICAL		WEIGHT LBS
			AMPS @115V	AMPS @230V	
AW03OSC	38-1/2"	1-1/4	12.0	9.2	617
AW04OSC	50-1/2"	1-1/2	14.3	12.3	717
AW06OSC	74-1/2"	(2) 1-1/2	22.1	24.6	1025
AW08OSC	97-1/2"	(2) 1-1/2	23.6	24.6	1239

78" HIGH REMOTE*

MODEL	LENGTH	**BTU'S/ HR/FT	AMPS		WEIGHT LBS
			@115V	@230V	
AW03ORM	38-1/2"	5426	4.7	N/R	567
AW04ORM	50-1/2"	7055	5.6	N/R	657
AW06ORM	74-1/2"	7055	9.1	N/R	925
AW08ORM	97-1/2"	14109	10.6	N/R	1139

*Floor drain required

**BTU/HR are at +10°F (evaporator) and 90°F ambient

Cases engineered to operate at 75° F and 55% RH

If no floor drain provided, evaporative drain pan must be ordered

FEATURES

Exterior Finish. Metal construction with rugged steel base, and high impact vinyl cart bumper.

Standard Color Finish. White or black.

Interior Finish. White powder coat.

Lighting. Energy efficient in canopy with remote ballast.

Self Contained. Includes automatic condensate evaporator.

Aluminum Finned Copper Tube Coils.

Pull Down Night Cover to Save Energy.

Digital Controller Standard.

Thermometer Mounted in Rear Wall.

Three White Powder Coated Shelves. With adjustable angle brackets and price tag molding.

CFC-Free Insulated, Foamed in Place Interior Tank.

Insulated End Panels.

Thermo Pane Glass Insert Ends.

UL Listed & UL Sanitation Classified to NSF-7.

Warranty: One Year Parts & Labor

Additional Four Year Compressor Replacement.

ROYAL
Store Fixture

Parisi Inc.
305 Pheasant Run
Newtown, PA 18940

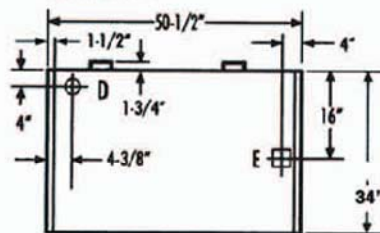
PH 215-968-6677
FAX 215-968-3580

email: quality@parisi-royal.com
www.parisi-royal.com



PLAN VIEW

Not to scale.



E - Electrical Connection
D - Drain Connection
(Remote Units Only)

Specifications subject to change without notice.

OPTIONS

Condensate Pan Kit. For remote applications when floor drains are not available.

Special Order Colors Available.

Locking security night cover.

Represented By:

